



C7 C8 C9 STOOLS

COMFORT AND WELLBEING

C7 C8 C9 STOOLS

COMFORT AND WELLBEING

CASTELLINI.COM



BU Medical Equipment
Sede Legale Ed Amministrativa
Headquarters
CEFLA s.c. - Via Selice Provinciale, 23/a
40026 Imola (BO) - Italy
Tel. +39 0542 653441
Fax +39 0542 653444

Stabilimento
Plant
CEFLA s.c. - Via Biscocci, 14/C
40026 Imola (BO) - Italy
Tel. +39 0542 653441
Fax +39 0542 653401

CASTELLINI.COM

Due to our policy of constant technological upgrading, the technical specifications may be subject to change without prior notice.
According to the relevant regulations, in the extra-EU areas, some products and/or characteristics might have different availability and specifications. Please contact your local supplier.

11/2021 CST06B21S00



DISCOVER THE C7 C8 C9 SERIES

Designed to ensure correct posture and wellbeing in every working position, the latest dentist and assistant stools are designed to fit effortlessly into any dental practice.
Three versions of comfort.



C7 STOOL

The C7 is an optimised stool that lets dentists perform treatment perfectly while enjoying correct body support. Adjustment mechanisms ensure both seat and back are always regulated to suit the operator's build, while the compact design allows full access to all parts of the dental unit. The lining material and the manufacturing technique make it easy to sanitise the surfaces.



SEAT

The seat is specially shaped to aid natural positioning of the legs, ensuring a stable, comfortable posture at all times. Soft, comfortable foam padding contributes to the dentist's wellbeing, even during prolonged treatment sessions.

BACKREST

The small backrest reduces the contact surface area and, therefore, the sensation of heat. Simultaneously, its shape provides perfect lumbar support during treatment or when talking with the patient.



LUMBAR SUPPORT

The backrest has 9 different height settings, providing proper support for all dentists whatever their build.



BACKREST ADJUSTMENT

The backrest can be tilted as preferred by the user, who can always 'model' the stool to suit their build.



SEAT ADJUSTMENT

Seat height can be adjusted as desired to ensure proper leg support and spinal posture at all times. An optional accessory can add a further 10 cm of height.

C9 STOOL

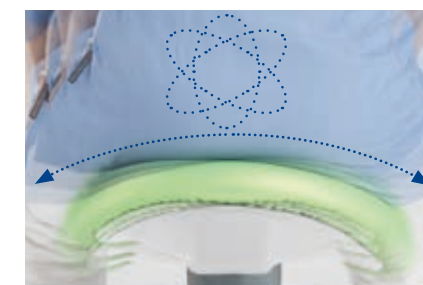


Innovative saddle-like seat design lets dentists approach the patient without having to flex their back, reducing the risk of fatigue. Maximum comfort with the smallest possible footprint.



IDEAL POSTURE

Saddle-like shaping angles the legs correctly, consequently improving back posture and making it easier to get close to the treatment zone. Excellent ergonomics ensures a feeling of wellbeing and energy, minimising any risk of musculoskeletal pain.



DYNAMIC SEATING

A tilt mechanism ensures the 'saddle' supports the dentist's body movements, providing dynamic seating to ensure a proper, active posture in every treatment scenario. The angle of movement is easily adjusted and can be locked in place.



UPHOLSTERY

Upholstery is available in two versions: seamless upholstery to make sanitising tasks easier and Memory Foam padding (optional) to provide very high comfort levels.

C8 STOOL

The C8 stool is designed to provide maximum mobility, quick access to all instruments and optimal arm support.



SYMMETRICAL SEAT

The seat is circular, making it comfortable even when operators rotate their body. Seat and backrest are actually free to move so the operator can move through 360°. The armrest framework is designed to keep the forearm stable in any position.

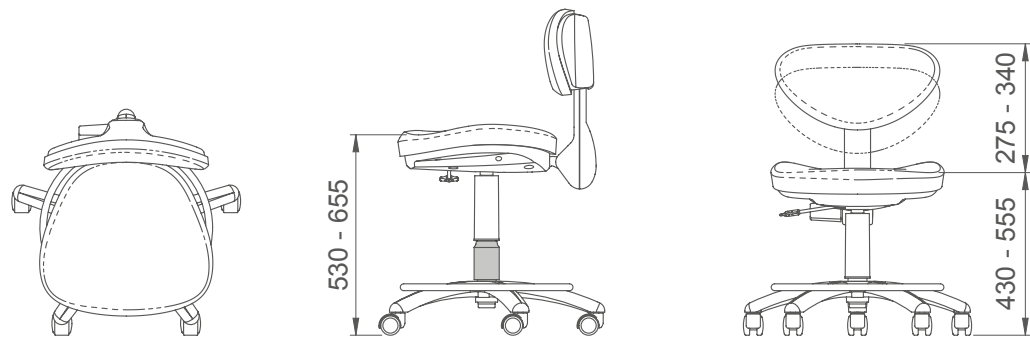


COMFORTABLE, PRACTICAL ARMREST

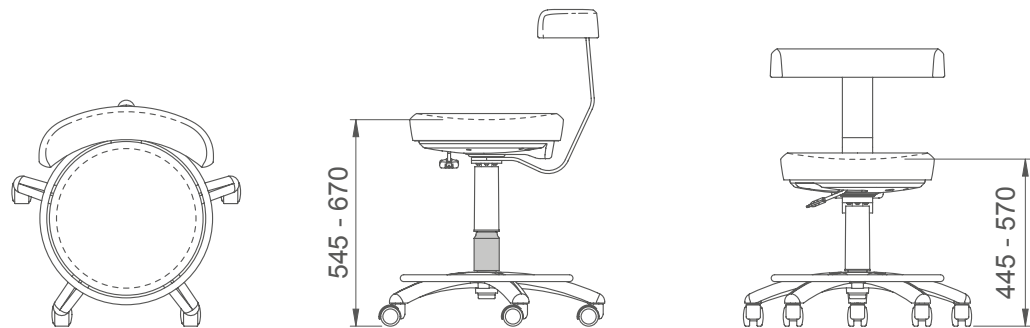
The armrest is horizontal, without edges and lined with non-slip material: assistants can therefore keep their arm in a comfortable, stable position, even during long treatment sessions. During the assembly stage, users can opt for a centred armrest position, or off-centred to the left or right according to the needs of the practice.

TECHNICAL SPECIFICATIONS

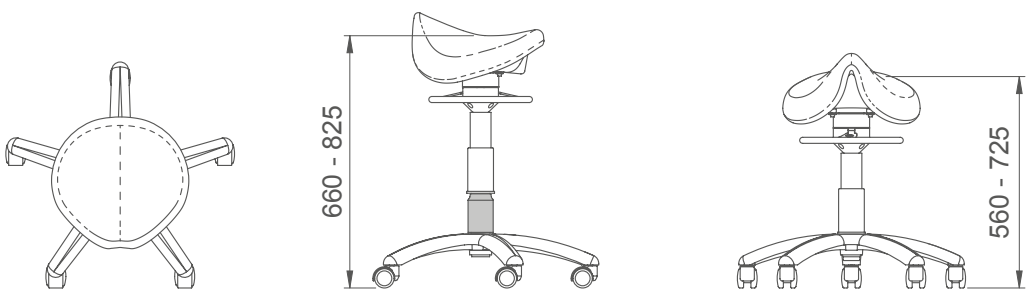
C7 STOOL



C8 STOOL



C9 STOOL



Measurements in drawings are in millimetres

C7 C8 C9 STOOLS

	FOOTREST RING	10 CM EXTENSION	BALANCE SYSTEM	STANDARD UPHOLSTERY	MEMORY FOAM PADDING
C7	○	○	-	●	-
C8	○	○	-	●	-
C9	○	○	●	●	○

● = supplied as standard ○ = optional - = not available

CE
0051



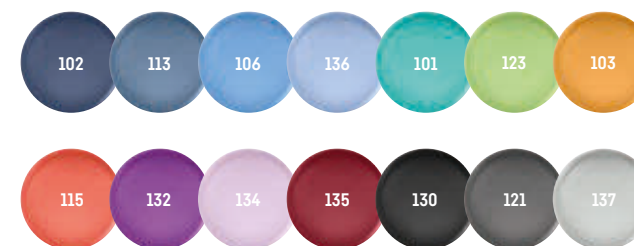
EXTENSION

An optional 10 cm extension is available for all models, ensuring the seat can be adapted to all user builds.



FOOTREST RING

An optional footrest ring providing comfortable, stable support is available on every model. A metallic finish ensures easy cleaning.



COLOUR RANGE

102 Atlantic blue
113 Pacific blue
106 Mediterranean blue
136 Indian blue
101 Caribbean green
123 Polynesian green
103 Nevada yellow

115 Scottish salmon
132 Blueberry violet
134 Japanese wisteria
135 Venetian red
130 Graphite black
121 Anthracite grey
137 Bright silver

COMFORT AND WELLBEING